

# Mobile Prüfungsausstattung

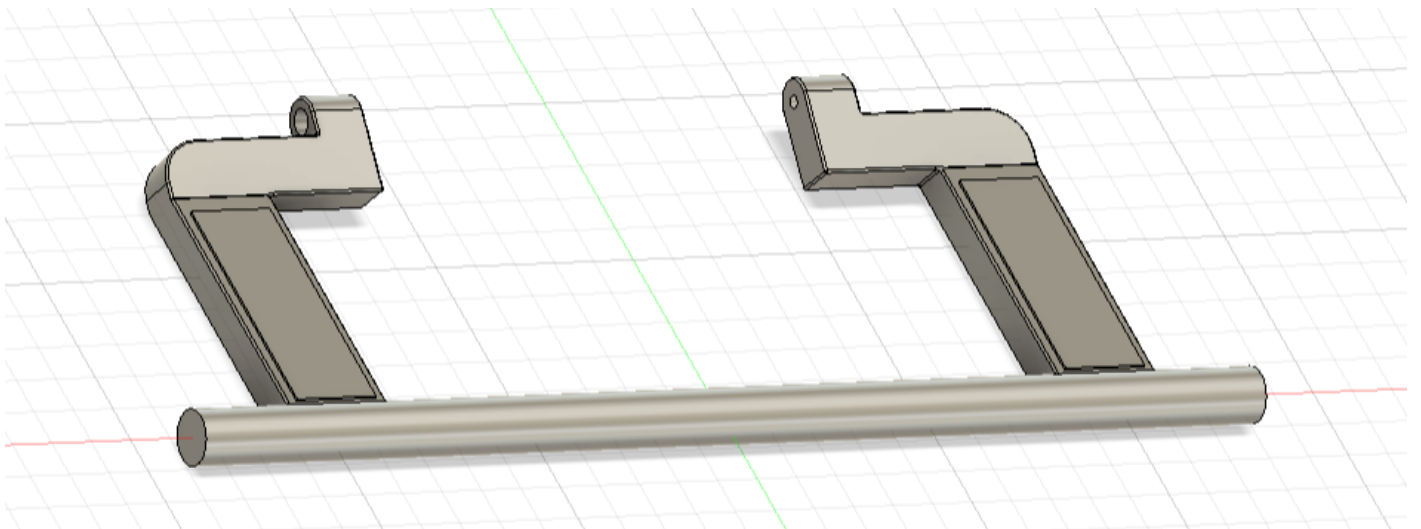
The support leg is broken on two of the [Gaomon monitors](#).





I modeled the leg in [Autodesk Fusion](#).

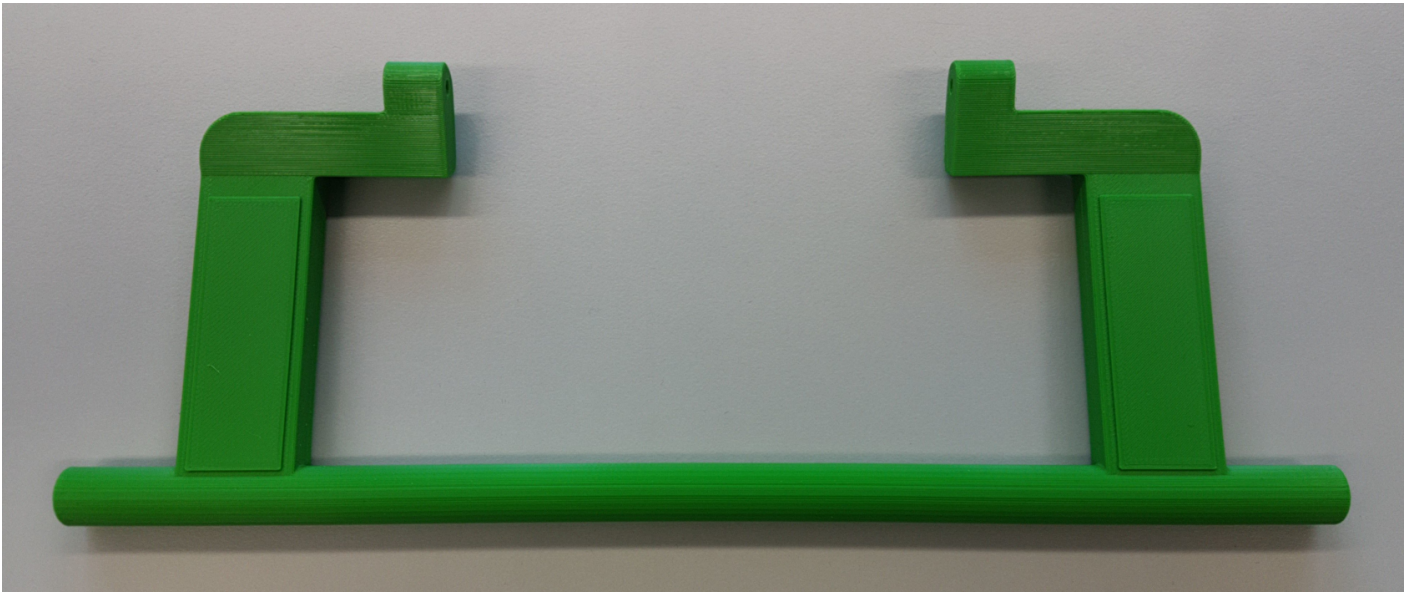
The file can be found below the image.



[Staender\\_monitor v2.f3d](#)

[Staender\\_monitor v2.stl](#)

I got the colour wrong on the first print, but it should be enough to try it out.



---

Revision #6

Created 2025-10-20 12:28:46 UTC by Ferdi

Updated 2025-11-10 09:14:23 UTC by Ferdi